

AHD MOBILE BOX CAMER

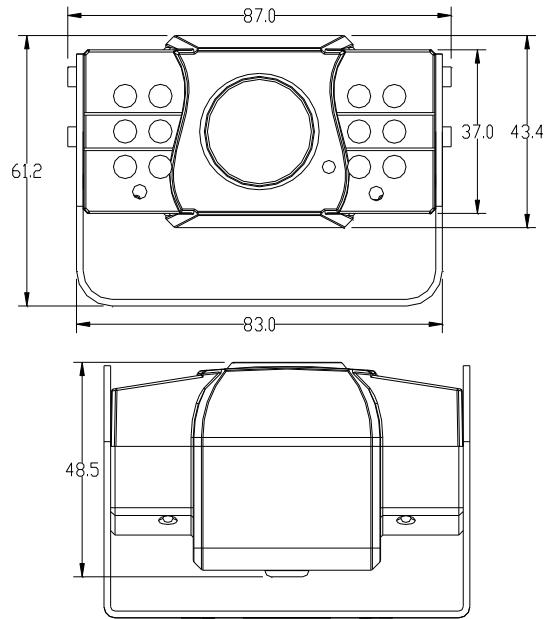


MVS Model: 601NIR-FFI-1.3MP

Analog High resolution, 1.3Mega Pixel, 12VDC



Dimensions:



Features:

- Metal mini housing with fixed lens.
- Available in black.
- Low power consumption.
- Easy installation on ceiling or wall, surface mount.
- Audio output available.

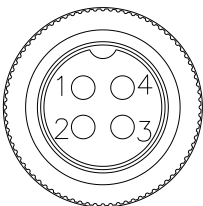
Operation procedures:

1. Fix the U type bracket to ceiling by the applied mounting screw and locking washer.
2. Make the camera to the suitable position.
3. Connect 4 pin din jack to 12VDC, Video and Audio.

Packing list:

Camera	1
Instruction manual	1
Mounting screw	3
Spring washer	3

Connection:



- 1 --- 12VDC (+)
- 2 --- 12VDC/GND
- 3 --- Audio
- 4 --- Video

Specifications:

Model	601NIR-FFI-1.3MP
Pick up Device	1/3" SONY IMX238
TV System	PAL/NTSC(OPTIONAL)
Effective Pixel	1280Hx960V
Sensitivity	0 lux (IR LEDs On)
Scanning System	progressive scan RGB CMOS
Synchronization	Internal
Infrared Spectrum	850nm or 940nm
S/N Ratio	More than 50dB(AGC Off)
Noise Redution	3D
Auto Gain Control (AGC)	Auto
Electronic Shutter	Auto
Back Light Compensation	Auto
Infrared LED	12 LEDs
Infrared LED Range	5m
Video Output	AHD 1 Vp-p, P 75Ω
Gamma Ratio	0.45
Lens	f3.6mm Megapixel
Pan Adjusting	N/A
Tilt Adjusting	0-62 Degree
Power Supply	12V DC ±10%
Power Consumption	150mA
Dimensions (ø X H)	48.5 L x 87W x 61.2H mm
Net Weight	130 g
Weatherproof/Water Proof	IP67
Operating Temperature	-20°C to +65°C

*Specifications are subject to change without prior notice.

- Input voltage exceeding the nominal rating by over +/-10% will cause abnormal operation